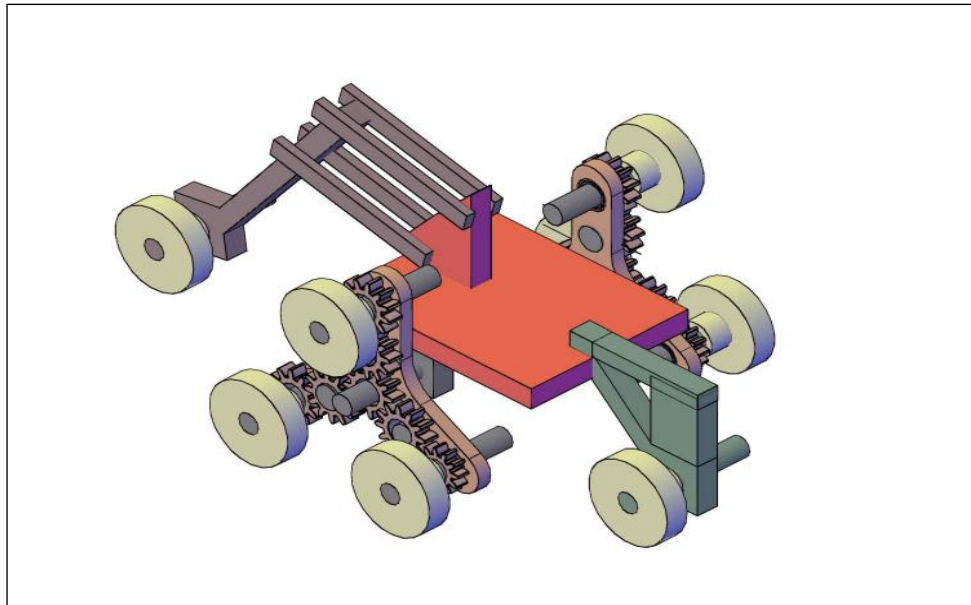
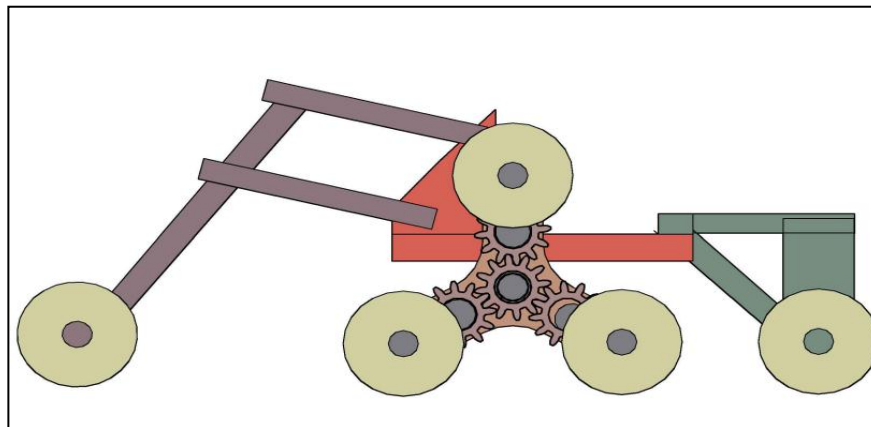


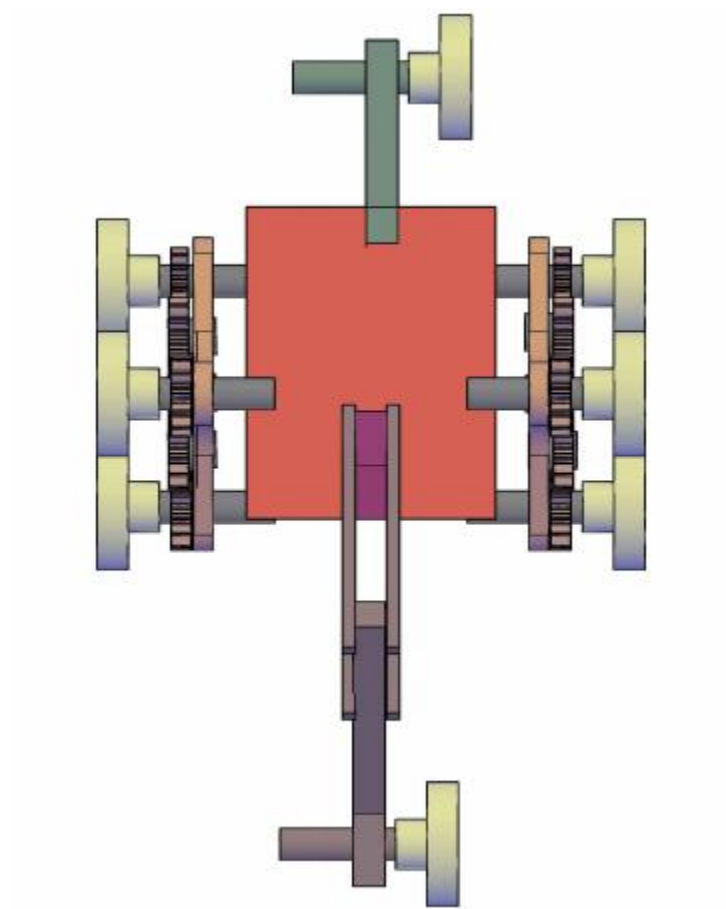
## Design of the Prototype: Stair Climbing Robot



**Figure: NW Isometric View of the Robot**



**Figure: Right View**



**Figure: Top View of the prototype**